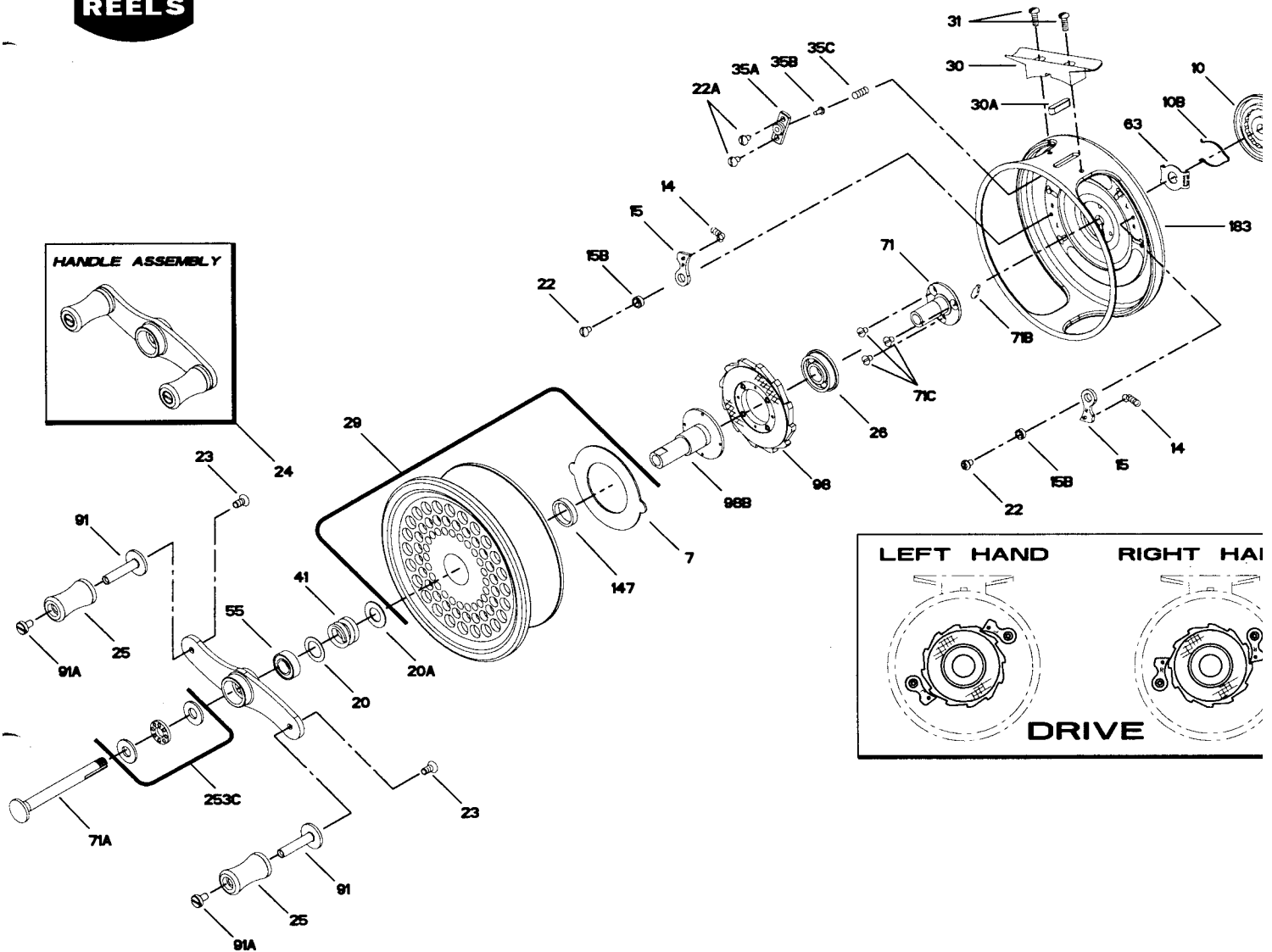




**PARTS AND PRICE LIST FOR MODEL 4G-AR**



Key No.	Part No.	Description	Price
7	7-4GAR	Metal Drag Washer	\$5.50
10	10N-2.5FRG	Drag Knob	18.50
10A	10A-2.5FR	Retaining Screw	2.00
10B	10B-2.5FR	Detent Spring	.35
14	14-500	Dog Coil Spring (2 req.)	.40
15	15-4FR	Dog (2 req.)	1.00
15B	15B-2.5FR	Dog Bushing (2 req.)	.50
20	20-4FR	Spool Thrust Washer	.45
20A	20-4GAR	Spool Thrust Washer	.45
22	22-2.5FR	Dog Screw (2 req.)	.35
22A	22-2.5FR	Click Housing Screw (2 req.)	.35
23	23-2.5FR	Handle Post Screw (2 req.)	.35
24	24-4GAR	Handle Assembly (Complete)	24.00
25	25-4FR	Handle Knob (2 req.)	4.00
26	26-2.5FR	Flange Bearing	11.00
29	29L-4GAR	Spool Assembly	117.00
30	30-4FRG	Stand	17.00
30A	30A-2.5FR	Stabilizer Bar	.75

Key No.	Part No.	Description	Price
31	31-2.5FR	Stand Screw (2 req.)	\$.55
35A	35A-2.5FR	Click Housing	.45
35B	35B-2.5FR	Click Pin	.75
35C	107-60	Click Pin Spring	.35
41	41-4FR	Drag Coil Spring	.80
55	55-12H	Ball Bearing (Outer)	13.25
63	63-2.5FR	Spring Retainer	.90
71	71-4GAR	Spindle	18.65
71A	71A-4GAR	Spindle Stud	18.65
71B	71B-4GAR	Spindle Lock Pin	.35
71C	71C-2.5FR	Spindle Screw (3 req.)	.45
91	91-4FRG	Handle Post (2 req.)	1.35
91A	91A-2.5FR	Handle Screw	1.20
98	98N-4GAR	Drag Washer/Ratchet	17.95
98B	98B-4GAR	Spindle Sleeve	12.00
147	147N-320	Spool Bushing	.50
183	183-4GAR	Frame	110.00
253C	253C-4GAR	Thrust Bearing (Complete)	5.00